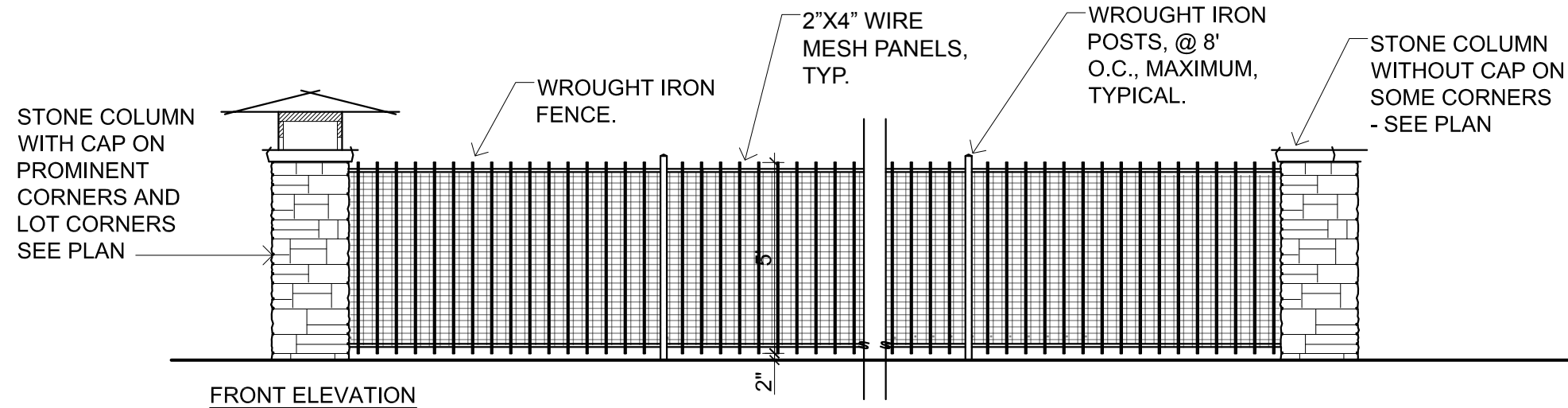
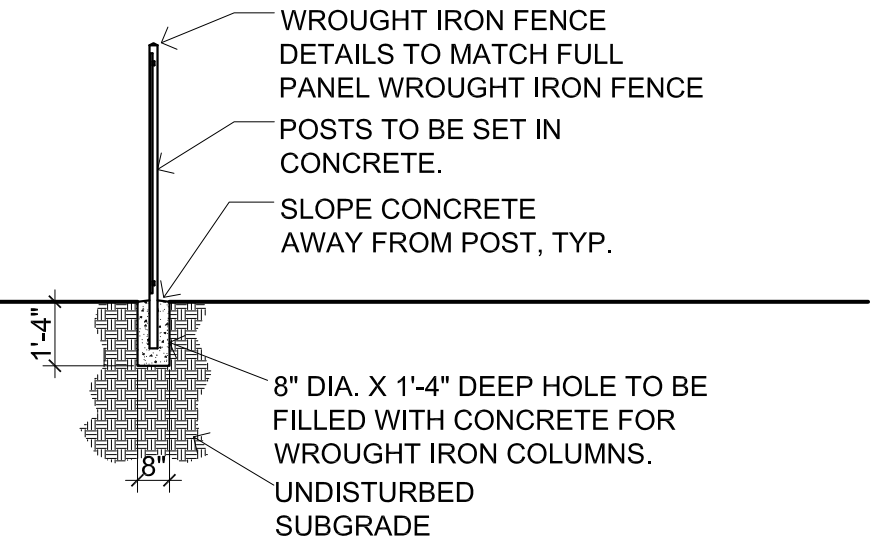


# FENCE TYPE 1 - WROUGHT IRON PET MODIFICATION

NOT TO SCALE



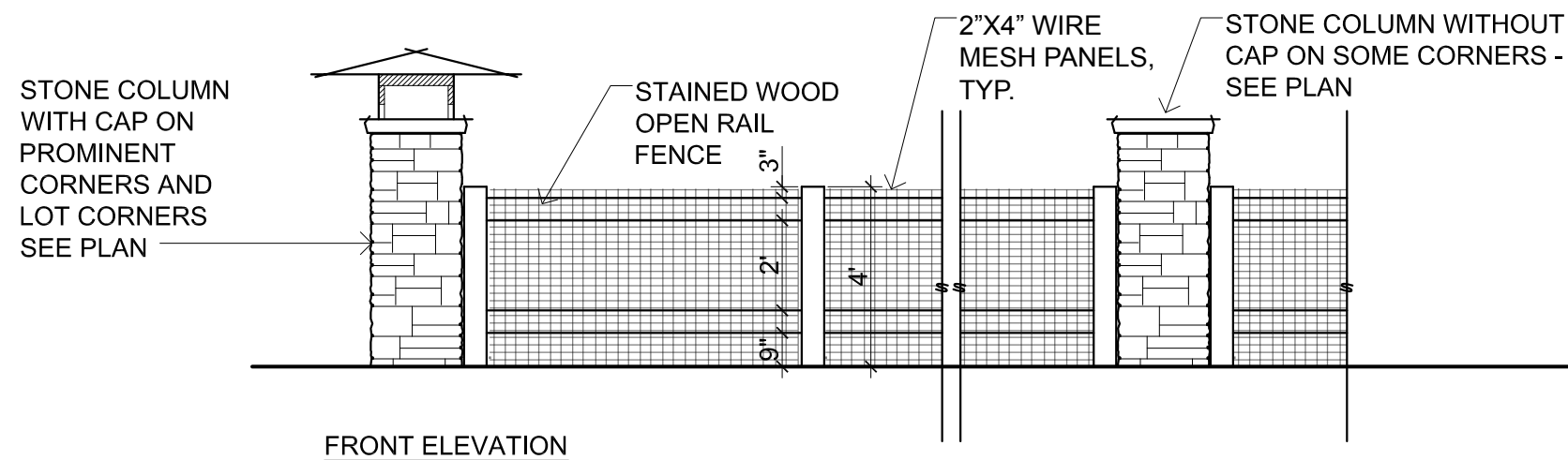
IF YOU'RE PLACING WIRE MESH ON WROUGHT IRON FENCE; FOLLOW THESE SPECS. WIRE MESH SHOULD BE 12.5 GAUGE WIRE MESH. (48" HEIGHT WIRE MESH) SQUARES ON WIRE MESH ARE 2" BY 4". WHEN PLACING WIRE MESH ON WROUGHT IRON FENCE ATTACH WIRE MESH WITH BLACK COLORED METAL STRAPS AT LEAST EVERY 18 INCHES (UP AND DOWN). IF YOU CAN'T FIND BLACK COLORED METAL STRAPS YOU CAN USE BLACK PLASTIC TY-WRAPS, PLACING EVERY 18 INCHES. KEEP IN MIND TY-WRAPS ARE NOT UV RATED AND THEY SHOULD BE MAINTAIN EVERY YEAR AS NOT TO HAVE WIRE MESH FALLING OFF FENCE. ALL FENCING ON LOT MUST MATCH REAR DISTRICT FENCE, NO FRONT YARD FENCE ALLOWED OR WOOD FENCE IN AREA'S WITH WROUGHT IRON FENCE. (EXCLUDES DISTRICT 1 BOX PICKET FENCE)



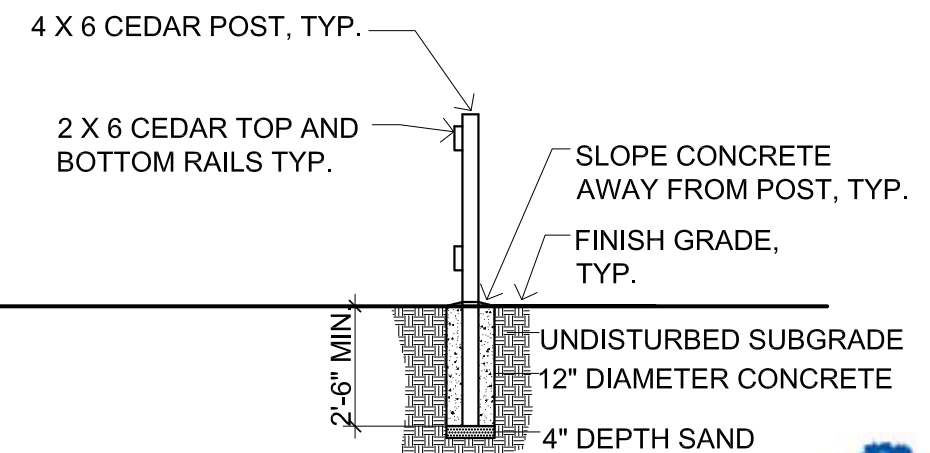
WROUGHT IRON COLUMN DETAIL

# FENCE TYPE 2 - OPEN RAIL FENCE PET MODIFICATION

PET MODIFICATION  
NOT TO SCALE



IF YOU'RE PLACING WIRE MESH ON TWO RAIL FENCE; FOLLOW THESE SPECS. WIRE MESH SHOULD BE 12.5 GAUGE WIRE MESH. (48" HEIGHT WIRE MESH) SQUARES ON WIRE MESH ARE 2" BY 4". WHEN PLACING WIRE MESH ON NEW FENCE, WIRE MESH SHOULD BE "SANDWICHED" BETWEEN RAILS AND POST. ONCE POSTS ARE PLACED, STAPLE WIRE MESH TO POST, THEN ATTACH RAILS. IF FENCE IS IN PLACE, ATTACHED WIRE MESH TO BOARDS INSIDE OF YOUR YARD AND MAINTAIN ATTACHMENTS. AS ALWAYS MAINTAIN STAIN. ALL FENCING ON LOT MUST MATCH REAR DISTRICT FENCE, NO FRONT YARD FENCE ALLOWED. (EXCLUDES DISTRICT 1 BOX PICKET FENCE) NO CLEAR STAIN ALLOWED, IT IS NEVER CLEAR, IT ALWAYS ADD SOME COLOR TO THE FENCE. APPROVED STAIN IS DIAMOND VOGEL WALNUT AG-8317 **SEMI-SOLID OIL BASE. (DIAMOND VOGEL WALNUT AG-8317 WATER BASED STAIN CAN BE USED ALSO)**  
**DIAMOND VOGEL PAINTS**  
416 JEFFERSON ST, FORT COLLINS, CO 80524 (970) 482-7284



WOOD RAIL FENCE SECTION